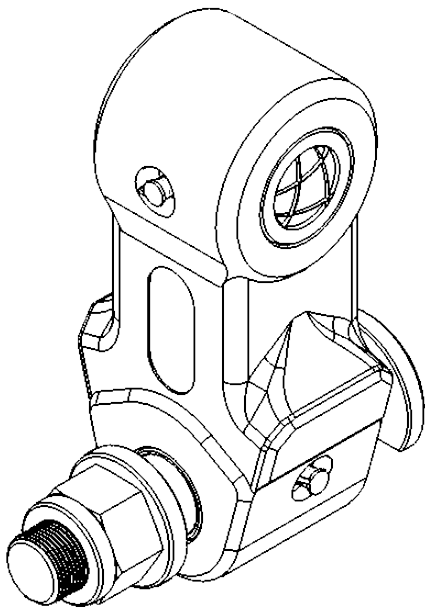
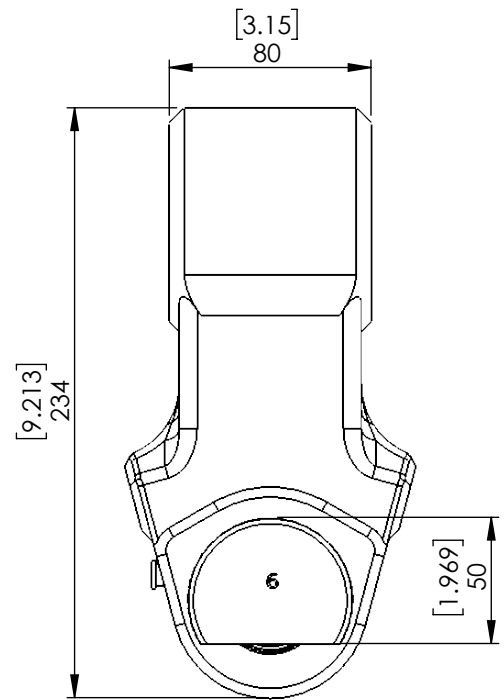
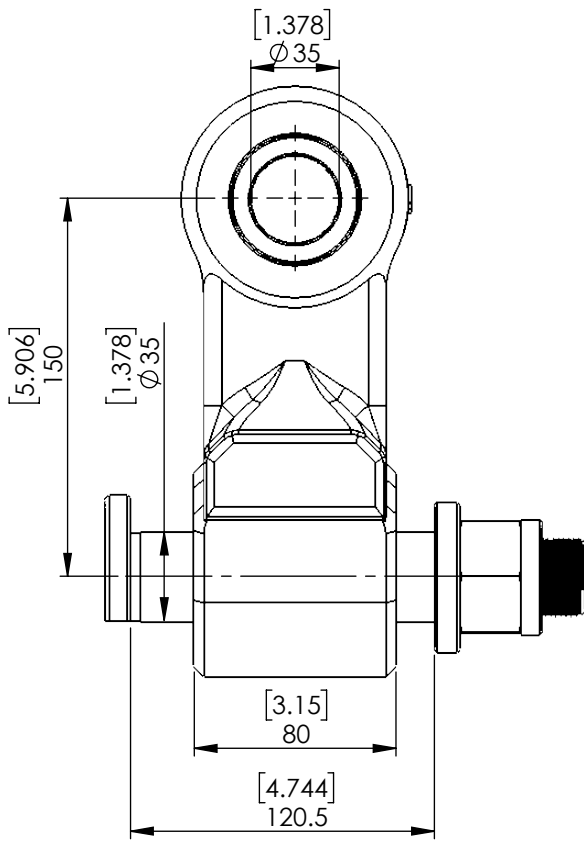


LINK CL 8035(L150)



MAX AXIAL LOAD STATIC [kN/lbf]	100	22481
MAX AXIAL LOAD DYNAMIC [kN/lbf]	50	11240
WEIGHT [kg/lb]	20	44