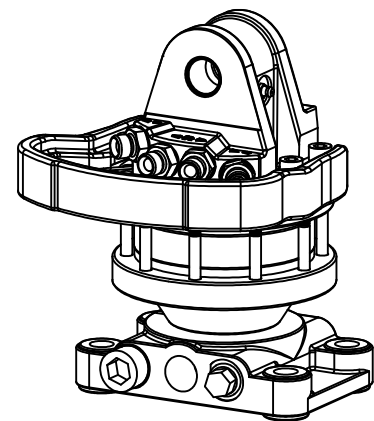
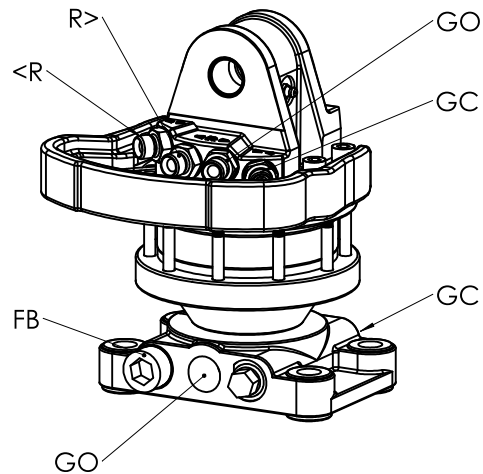
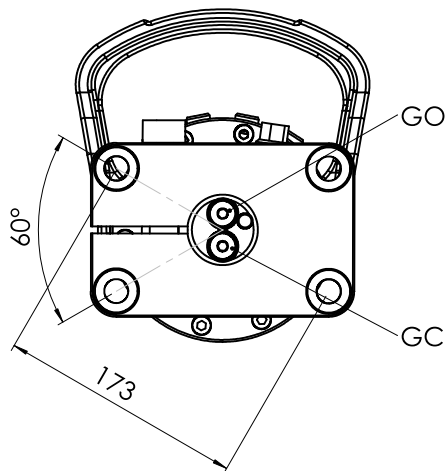
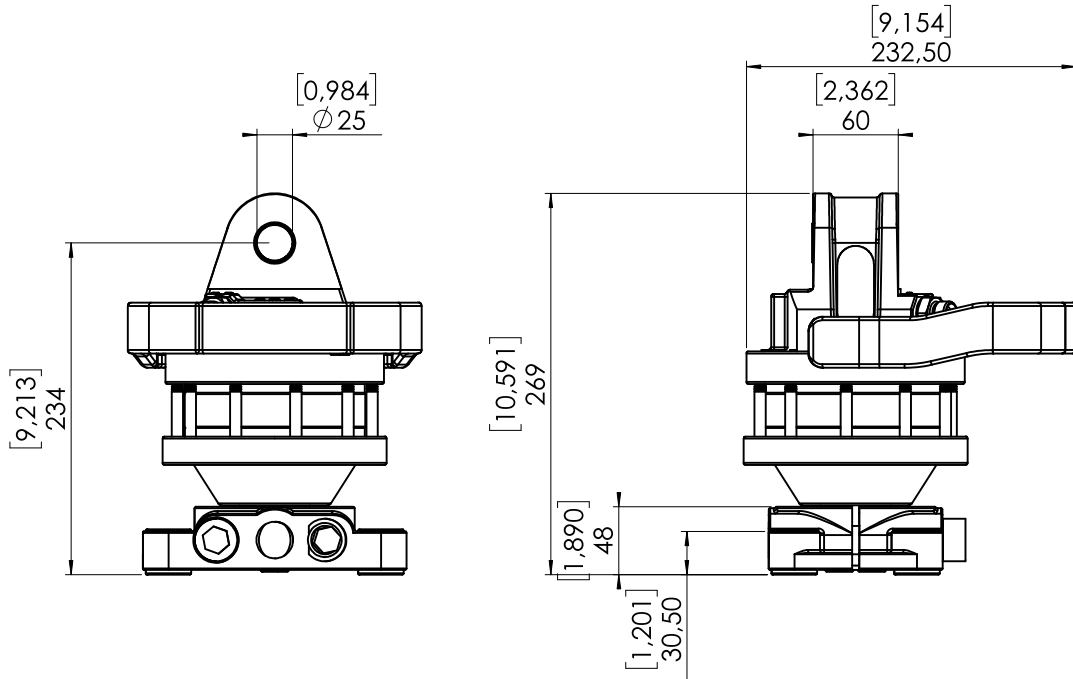


70306 CR 300-W25F173



Rotation angle	Unlimited
Max rotation pressure (R)	250 bar
Maximum working pressure with the grapple open (GO)	200 bar
Maximum working pressure with the grapple closed (GC)	300 bar
Capacity	330 cm ³
Torque (250 bar)	900 Nm
Maximum axial load (static)	30 kN
Maximum axial load (dynamic)	15 kN
Weight	22 kg
Connections	G3/8"
Recommned oil flow	20 lpm