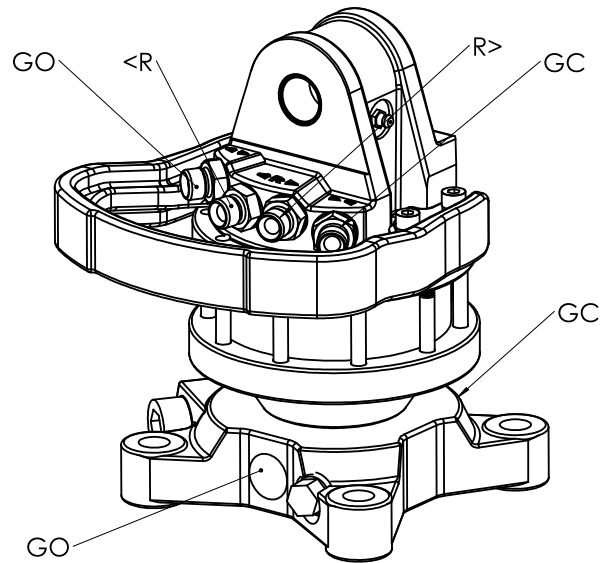
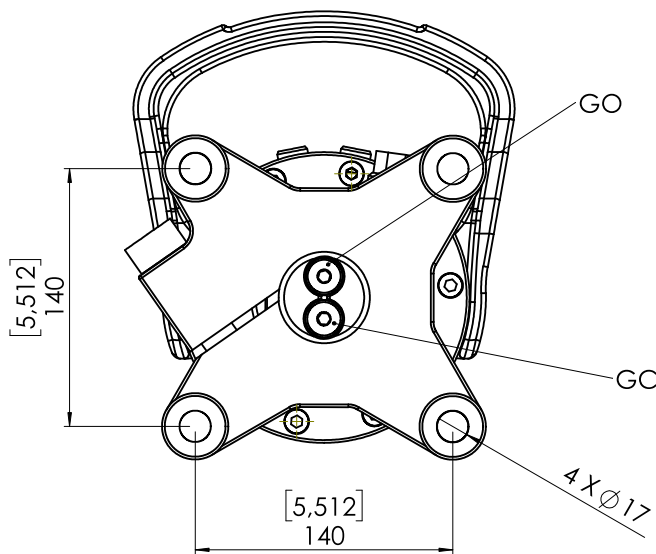
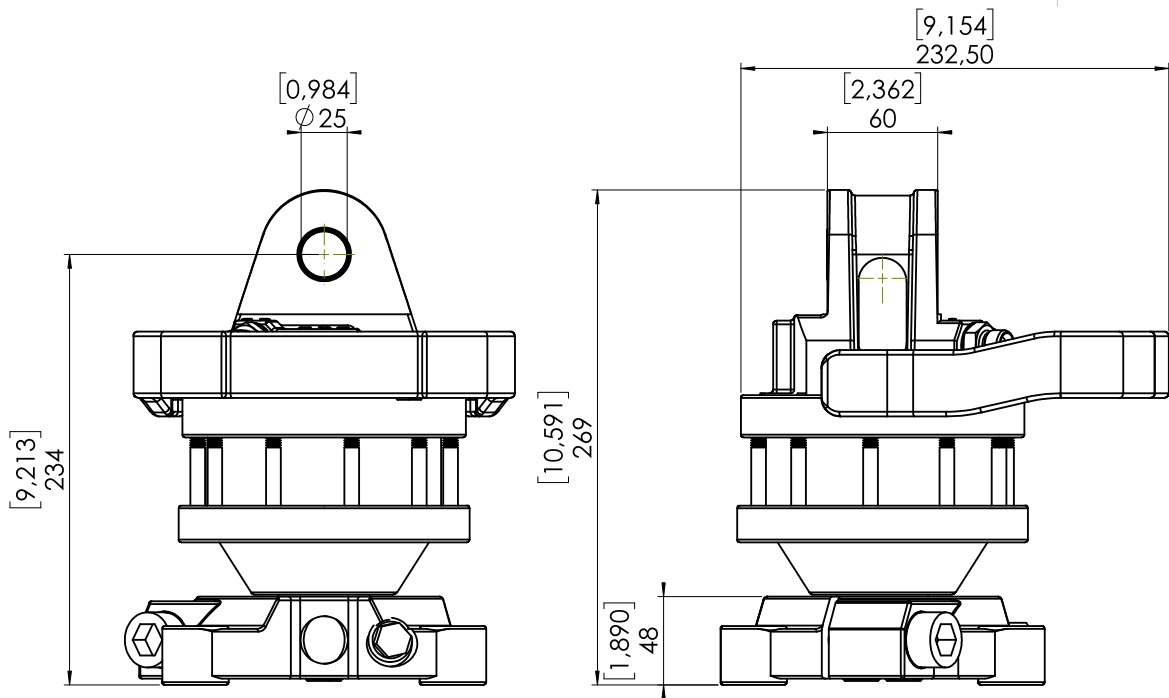


70305 CR 300-W25F140



Rotation angle	Unlimited °
Max rotation pressure (R)	250 bar
Max working pressure grapple open (GO)	200 bar
Max working pressure grapple closed (GC)	300 bar
Capacity	330 cm ³
Torque (250 bar)	900 Nm
Max axial load (static)	30 kN
Max axial load (dynamic)	15 kN
Weight	22 kg
Required oil flow	20 lpm